

PART NUMBER	REV	TERMINATOR	FEED TYPE	DESCRIPTION
1528914-1	A	LEADMAKER	MECH POST FEED	CUTS CARRIER
1528914-2	A	BENCH	MECH PRE FEED	CUTS CARRIER
1528914-6	A	LEADMAKER	MECH POST FEED	CONTINUOUS CARRIER
7-1528914-1	A	LEADMAKER	MECH POST FEED	-1 AND SPARE PARTS
7-1528914-2	A	BENCH	MECH PRE FEED	-2 AND SPARE PARTS
7-1528914-6	A	LEADMAKER	MECH POST FEED	-6 AND SPARE PARTS
7-1528914-7	A	-	-	SPARE PARTS KIT

WIRE	SIZE	TYPE	RANGE
WIRE	1.20 [0.047 IN]	F	28-22 AWG or 0.08-0.35mm <sup>2</sup>
INSUL	1.78 [0.070 IN]	F	1.15-1.80 [0.045-.071 IN]

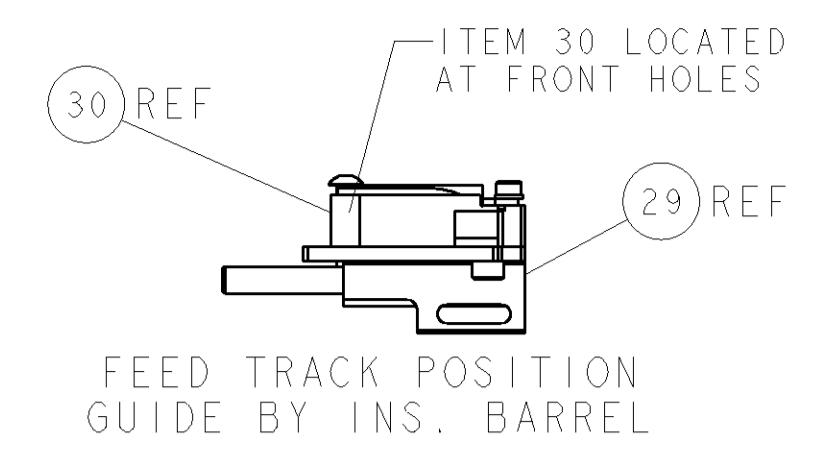
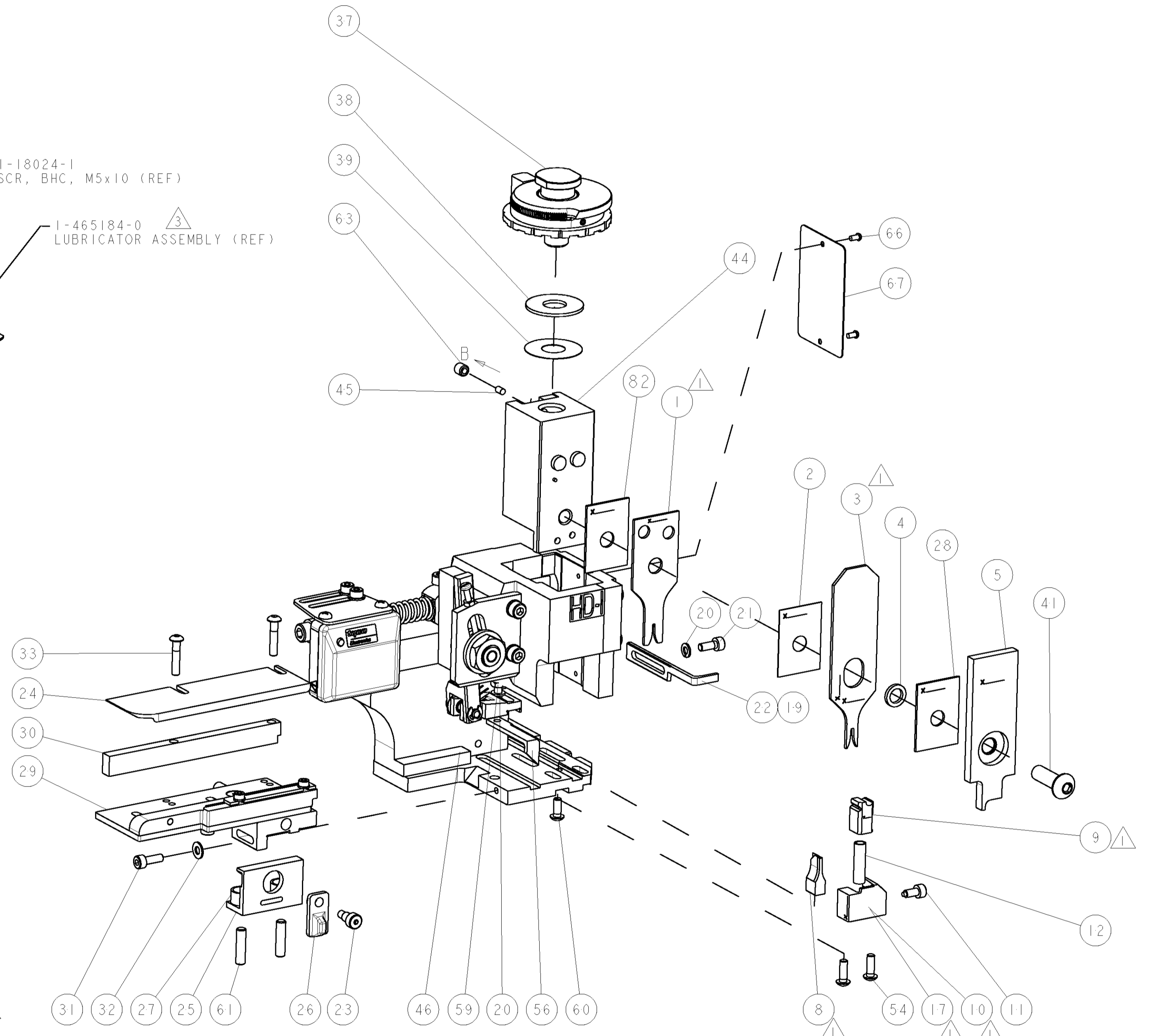
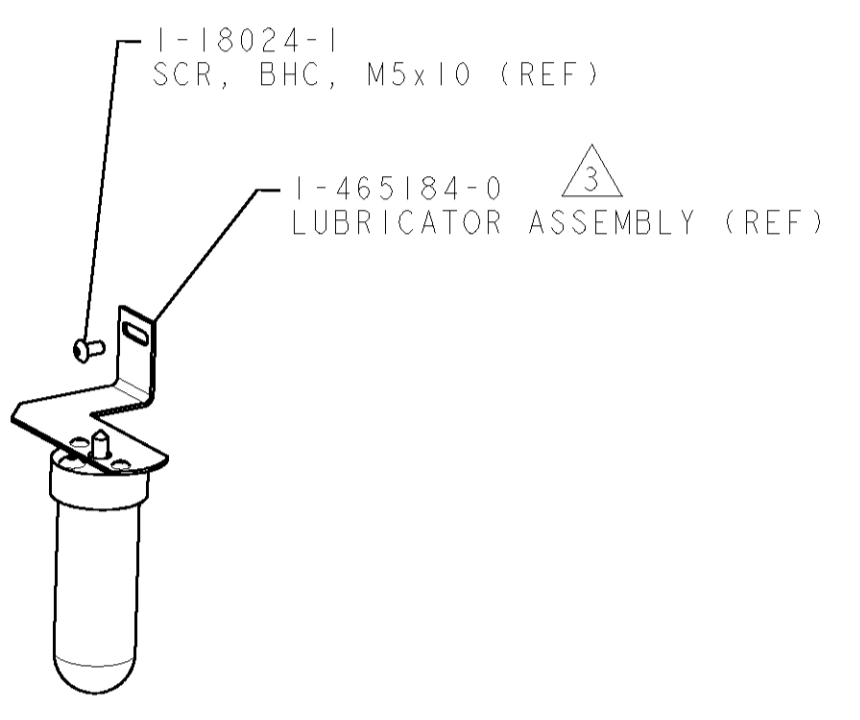
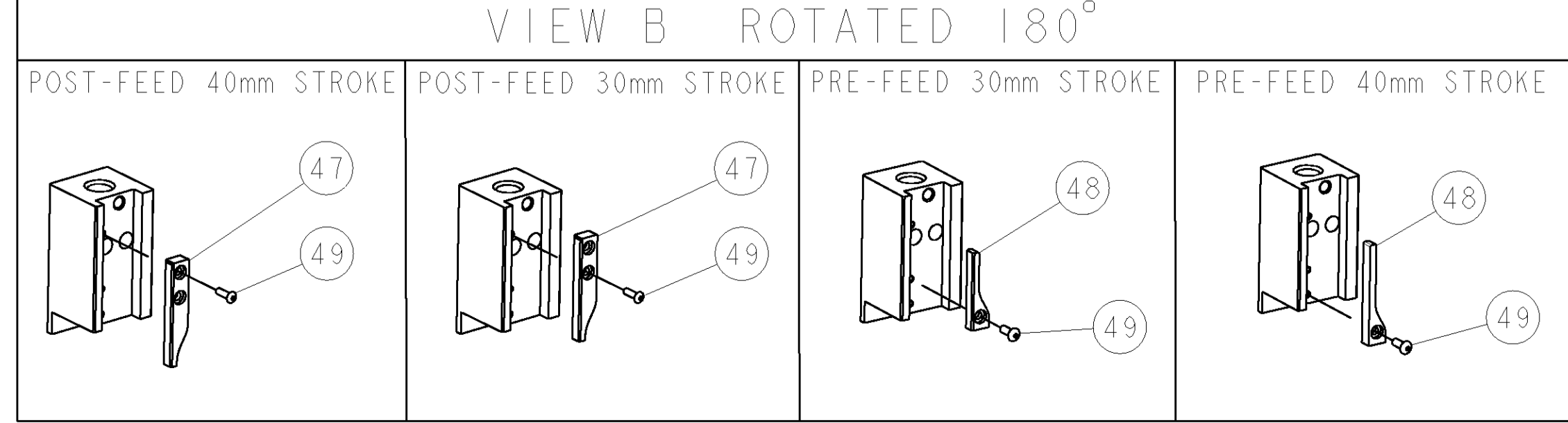
TE PN	MANUF'S PN		
1949705-1	50351-8000	-	-

WIRE SIZE	CRIMP HEIGHT	REF SETTING
22 AWG or 0.35mm <sup>2</sup>	0.84-0.89 [0.033-.035 IN]	A 8
24 AWG or 0.20mm <sup>2</sup>	0.76-0.81 [0.030-.032 IN]	B 2
26 AWG or 0.12mm <sup>2</sup>	0.71-0.76 [0.028-.030 IN]	B 7
28 AWG or 0.08mm <sup>2</sup>	0.67-0.72 [0.026-.028 IN]	C 0

- △ RECOMMENDED SPARE PARTS.
- 2. GREASE RAM, CAM, CAM FOLLOWER AND FEED ROD LIGHTLY.
- △ CERTAIN TERMINALS REQUIRE LUBRICATION. REFER TO THE APPLICATOR INSTRUCTION SHEET FOR MORE INFORMATION.
- 4. LUBRICATE DAILY PER THE APPLICATOR INSTRUCTION SHEET SUPPLIED WITH THE APPLICATOR.
- △ ALL CRIMP DATA SUPPLIED BY THE TERMINAL MANUFACTURER.

**\* WARNING**  
ON INSTALLATION, SET WIRE DISC TO LARGEST WIRE SIZE SETTING. USE OF SETTINGS BELOW MIN. REQUIRED CRIMP HEIGHT SETTING WILL CAUSE DAMAGE TO CRIMP TOOLING.



SET UP GAGE 458637-3		LOC	DIST	REVISIONS				
		A	66	REV	DESCRIPTION	DATE	BY	APPV
				A	SEE ECO-08-021794	02SEP2008	LJL	MC

QTY	REV	DESCRIPTION	DATE	BY	APPV
73					
72					
71		1338705-3 DOCUMENTATION PACKAGE			
70					
69					
68					
67		461264-5 PLATE, IDENTIFICATION			
66		21017-2 SCREW, DRIVE			
65					
64					
63		3-18031-0 SCR, SET, CUP POINT M6 X 6.0			
62					
61		2-18032-5 SCR, SET, FLT POINT M5 X 20.0			
60		18024-7 SCR, BTN SKT HD CAP (M4 X 10.0)			
59		5-18022-2 SCR, HEX HD CAP M4 X 8.0			
58					
57					
56		1338685-1 PAWL, FEED			
55					
54		18024-8 SCR, BTN SKT HD CAP (M4 X 12.0)			
53					
52					
51					
50					
49		18024-3 SCR, BTN SKT HD CAP (M3 X 10.0)			
48		1338675-1 CAM, UNIVERSAL PRE FEED			
47		1338676-1 CAM, UNIVERSAL POST-FEED			
46		1320999-3 APPLICATOR SUBASSEMBLY, HDI			
45		690191-1 PLUG, NYLON			
44		1338660-1 RAM			
43					
42					
41		2-18024-6 SCR, BTN SKT HD CAP (M8 X 25.0)			
40					
39		690125-1 SHIM SUB-ASSY			
38		1-469367-4 SHIM			
37		879103-3 FINE ADJUST HEAD ASSEMBLY			
36					
35					
34					
33		1-18024-0 SCR, BTN SKT HD CAP (M4 X 20.0)			
32		18027-2 WASHER, FLAT, REG M4			
31		1-18023-2 SCR, SKT HD CAP M4 X 12.0			
30		1320908-9 SPACER, STRIP GUIDE			
29		1633073-1 STRIP GUIDE ASSEMBLY			
28		1-455888-0 SPACER, CRIMPER			
27		1-22284-0 SPRING, COMPRESSION			
26		356835-1 LEVER, DRAG RELEASE			
25		240792-1 DRAG, TERMINAL			
24		1320928-1 PLATE, STRIP GUIDE			
23		980371-4 SCR, SKT HD SHLDR 5.0 DIA X 6.0			
22		690472-2 STRIPPER			
21		1-18023-1 SCR, SKT HD CAP M4 X 10.0			
20		18025-2 WASHER, SPRG LOCK, REG M4			
19		690472-1 STRIPPER			
18					
17		1338684-1 SHEAR HOLDER, FRONT			
16					
15					
14					
13					
12		3-22280-3 SPRING, COMPRESSION			
11		356885-4 STOP, SHEAR			
10		1320921-1 SHEAR HOLDER, FRONT, CUT			
9		462006-1 FLOATING SHEAR, FRONT			
8		9-1633138-5 ANVIL, COMBINATION			
7					
6					
5		2-455889-0 DEPRESSOR, SHEAR			
4		238011-6 BLOCK, CRIMPER SPACER			
3		4-683453-8 CRIMPER, INSULATION PREMIUM			
2		455888-3 SPACER, CRIMPER			
1		3-1633588-0 CRIMPER, WIRE			

QTY	REV	DESCRIPTION	ITEM NO
84			84
83			83
82		1-455888-0 SPACER, CRIMPER	82
81			81
80			80
79			79
78			78
77			77
76			76
75			75
74			74

QTY	REV	DESCRIPTION	ITEM NO
84			84
83			83
82		1-455888-0 SPACER, CRIMPER	82
81			81
80			80
79			79
78			78
77			77
76			76
75			75
74			74

QTY	REV	DESCRIPTION	ITEM NO
84			84
83			83
82		1-455888-0 SPACER, CRIMPER	82
81			81
80			80
79			79
78			78
77			77
76			76
75			75
74			74

QTY	REV	DESCRIPTION	ITEM NO
84			84
83			83
82		1-455888-0 SPACER, CRIMPER	82
81			81
80			80
79			79
78			78
77			77
76			76
75			75
74			74

QTY	REV	DESCRIPTION	ITEM NO
84			84
83			83
82		1-455888-0 SPACER, CRIMPER	82
81			81
80			80
79			79
78			78
77			77
76			76
75			75
74			74

QTY	REV	DESCRIPTION	ITEM NO
84			84
83			83
82		1-455888-0 SPACER, CRIMPER	82
81			81
80			80
79			79
78			78
77			77
76			76
75			75
74			74

QTY	REV	DESCRIPTION	ITEM NO
84			84
83			83
82		1-455888-0 SPACER, CRIMPER	82
81			81
80			80
79			79
78			78
77			77
76			76
75			75
74			74

QTY	REV	DESCRIPTION	ITEM NO
84			84
83			83
82		1-455888-0 SPACER, CRIMPER	82
81			81
80			80
79			79
78			78
77			77
76			76
75			75
74			74

QTY	REV	DESCRIPTION	ITEM NO
84			84
83			83
82		1-455888-0 SPACER, CRIMPER	82
81			81
80			80
79			79
78			78
77			77
76			76
75			75
74			74

QTY	REV	DESCRIPTION	ITEM NO
84			84
83			83
82		1-455888-0 SPACER, CRIMPER	82
81			81
80			80
79			79
78			78
77			77
76			76
75			75
74			74

QTY	REV	DESCRIPTION	ITEM NO
84			84
83			83
82		1-455888-0 SPACER, CRIMPER	82
81			81
80			80
79			79
78			78
77			77
76			76
75			75
74			74

QTY	REV	DESCRIPTION	ITEM NO
84			84
83			83
82		1-455888-0 SPACER, CRIMPER	82
81			81
80			80
79			79
78			78
77			77
76			76
75			75
74			74

QTY	REV	DESCRIPTION	ITEM NO
84			84
83			83
82		1-455888-0 SPACER, CRIMPER	82
81			81
80			80
79			79
78			78
77			77
76			76
75			75
74			74

QTY	REV	DESCRIPTION	ITEM NO
84			84
83			83
82		1-455888-0 SPACER, CRIMPER	82
81			81
80			80
79			79
78			78
77			77
76			76
75			75
74			74

QTY	REV	DESCRIPTION	ITEM NO
84			84
83			83
82		1-455888-0 SPACER, CRIMPER	82
81			81
80			80
79			79
78			78
77			77
76			76
75			75
74			74

QTY	REV	DESCRIPTION	ITEM NO
84			84
83			83
82		1-455888-0 SPACER, CRIMPER	82
81			81
80			80
79			79
78			78
77			77
76			76
75			75
74			74

QTY	REV	DESCRIPTION	ITEM NO
84			84
83			83
82		1-455888-0 SPACER, CRIMPER	82
81			81
80			80
79			79
78			78
77			77
76			76
75			75
74			74

QTY	REV	DESCRIPTION	ITEM NO
84			84
83			83
82		1-455888-0 SPACER, CRIMPER	82
81			81
80			80
79			79
78			78
77			77
76			76
75			75
74			74

QTY	REV	DESCRIPTION	ITEM NO
84			84
83			83
82		1-455888-0 SPACER, CRIMPER	82
81			81
80			80
79			79
78			78
77			77
76			76
75			7